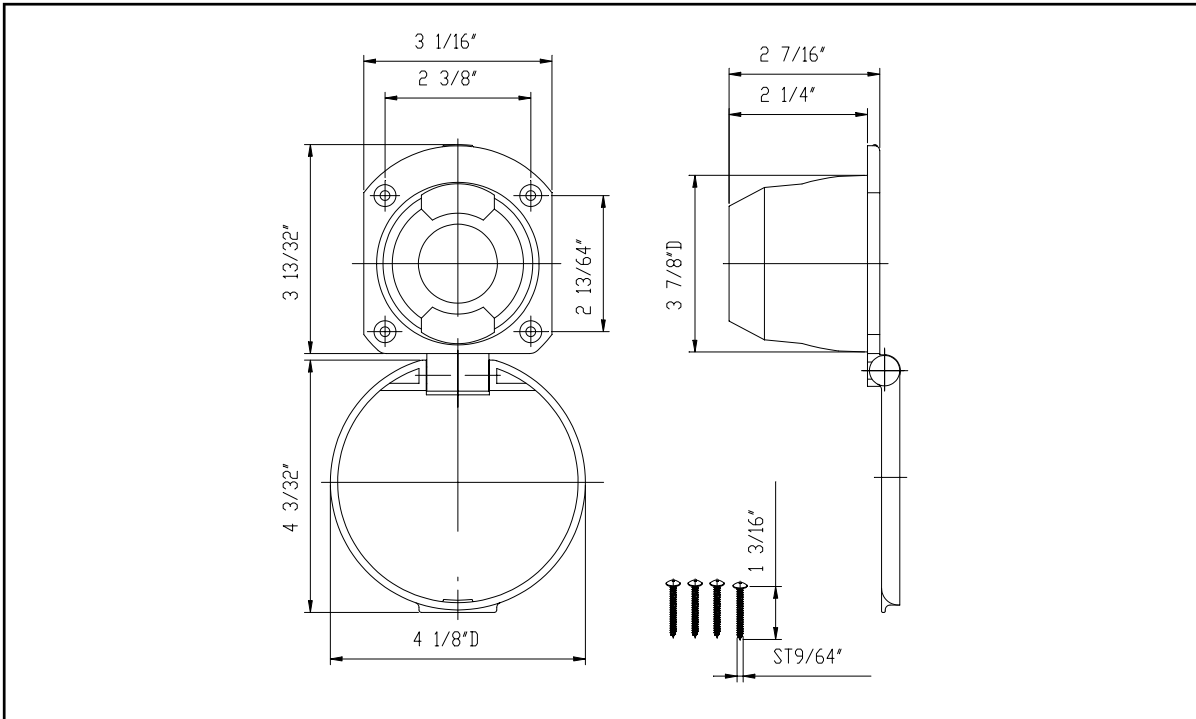


### Universal Mini Transom, White ( Cup & Lid with Screws ) Model # 136-0005-WH



#### LIMITED WARRANTY

SHURflo Marine Grade Faucets are guaranteed to be free from material and workmanship defects under normal use and service for a period of (3) three years from the date of manufactured vessel for all indoor applications and (2) two years from the date of manufactured vessel for all outdoor applications. The limited warranty will not apply to faucets that were improperly installed, misapplied, or incompatible with components not manufactured by SHURflo. Faucet failure due to foreign debris is not covered under the terms of this limited warranty. SHURflo will not warrant any faucet that is physically damaged, or altered outside the SHURflo factory. Warranty claims may be resolved by a SHURflo service center. All returns are to be shipped with charges pre-paid. Package all returns carefully. SHURflo will not be responsible for freight damage incurred during shipping to a service center. SHURflo's obligation under this warranty policy is limited to the repair or replacement of the faucet. Faucets found not defective (under the terms of this limited warranty) are subject to charges to be paid by the returnee for the testing and packaging of "tested good" units. Warranty returns will be shipped on a freight allowed basis. SHURflo reserves the right to choose the method of transportation. SHURflo is not responsible nor will it reimburse for labor necessary to remove and reinstall a faucet, if found defective. This warranty is only a representation of the complete Marine Products Limited Warranty outlined by Service Bulletin #1050.



★SHURflo reserves the right to update specifications, prices, or make substitutions.

#### SHURflo ★

5900A Katella Ave.  
Cypress, Ca 90630  
(562) 795-5200 (800) 854-3218  
Fax: (562) 795-7564

Shipping: 5900C Katella Ave.  
Cypress, CA 90630

#### SHURflo East

52748 Park Six Court  
Elkhart, IN 46514-5427  
(574) 262-0478 (800) 762-8094  
FAX (574) 264-2169

<http://www.shurflo.com>  
© 2002 Printed in USA

#### SHURflo Ltd. ★

Unit 5 Sterling Park  
Gatwick Road, Crawley  
West Sussex, RH10 2QT  
United Kingdom  
+44 1293 424000  
FAX +44 1293 421880