



SHURflo
Pentair Water

SHURflo Livewell Fill Valve INSTALLATION AND OPERATION INSTRUCTIONS

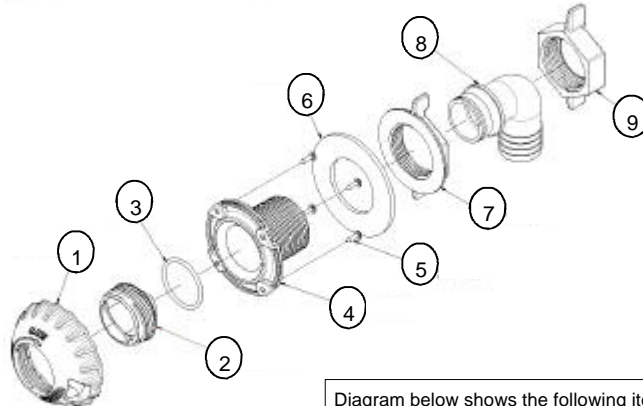
1-1/8" BARB - MODEL #: OEM: 330-000 / AM: 330-001
3/4" BARB - MODEL #: OEM: 330-010 / AM: 330-011

FEATURES:

- ◆ ADJUSTABLE FLOW - 1/2 TURN
- ◆ SIDE MOUNT
- ◆ NYLON CONSTRUCTION
- ◆ 1-1/8" AND 3/4" ELBOW FITTINGS
- ◆ MULTI-DIRECTIONAL
- ◆ LOW PROFILE DESIGN
- ◆ HIGH FLOW CAPACITY
- ◆ 3 YEAR WARRANTY

Tools required for installation:

- Hose clamp suitable for 3/4" or 1-1/8" depending on model.
- Nut driver or flat blade screw driver suitable for the hose clamp.
- Large pair of channel locks, pliers or crescent wrench.
- 1-3/4" Hole Saw.



WARNING



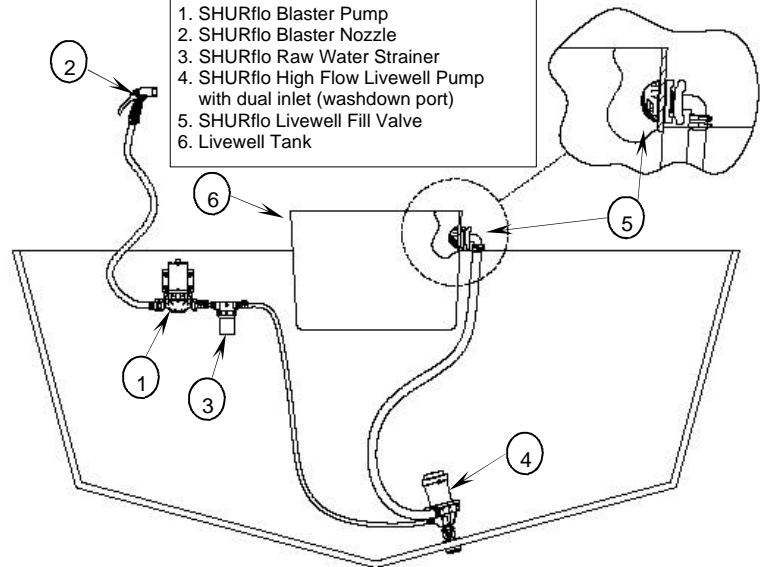
DO NOT OPERATE EQUIPMENT THAT REQUIRES 110 / 220 AC POWER WHILE BOAT IS IN WATER OR DURING INSTALLATION OF THE SHURflo LIVEWELL FILL VALVE.

Mounting Instructions:

- Select and mark the location for the housing outlet.
- Make a 1-3/4 inch hole at the location selected.
- Remove swivel nut (#9) and mounting nut (#7) from assembly.
- Place the housing assembly (#1, #2 #3, #4, #5, #6 and #8) through the hole from inside the tank ensuring the barb fitting is outside the livewell tank.
- Thread the mounting nut (#7) onto the housing inlet (#4) from outside of the tank. Hand tighten then, 1/4 turn with wrench.
- Thread the swivel nut (#9) (hand tighten) onto the housing inlet (#4).
- Secure hose with suitable hose clamps.
- Turn pump on and check for leaks.

Diagram below shows the following items:

1. SHURflo Blaster Pump
2. SHURflo Blaster Nozzle
3. SHURflo Raw Water Strainer
4. SHURflo High Flow Livewell Pump with dual inlet (washdown port)
5. SHURflo Livewell Fill Valve
6. Livewell Tank



ES Favor de referirse a www.shurflo.com para instrucciones de la instalación del producto y su operación, disponible en varios idiomas.

DE Mehrsprachige Hinweise zu Installation und Betrieb des Produktes finden Sie unter www.shurflo.com

IT Fare riferimento al sito www.shurflo.com per manuali multilingue di installazione ed utilizzo prodotti.

FR Veuillez vous référer au site www.shurflo.com pour l'installation produit multilingue ainsi que pour le mode d'emploi.

UK Please refer to www.shurflo.com for multi-lingual product installation and operating instructions

LIMITED WARRANTY:

SHURflo warrants its SHURflo Livewell Fill Valve to be free of defects in material and workmanship under normal use for a period of three years from the date of manufacture, as indicated on The hull # or product receipt. Returns are to be shipped to SHURflo postage prepaid. This warranty is only a representation of the complete marine products limited warranty as outlined in the Marine Service Bulletin # 1050. Send an email via our website to request a copy of this Service Bulletin.

SHURflo reserves the right to update specifications, prices, or make substitutions.



SHURflo, LLC Headquarters

5900 Katella Avenue
Cypress, California 90630
Phone (562) 795-5200 • Toll Free (800) 854-3218
Fax (562) 795-7564

SHURflo, LLC East

52748 Park Six Court
Elkhart, Indiana 46514-5427
Phone (562) 795-5200 • Toll Free (800) 854-3218
Fax (574) 264-2169

SHURflo Europe, Middle East, Africa

Pentair Water Belgium bvba,
Industriepark Wolfstee, Toekomstlaan 30
B-2200 Herentals, Belgium
Phone +32-14-283500 • Fax +32-14-283505