

Installation and Operation Guide

QL1-WPS* / QL2-WPS / QL3-WPS

Your Everpure Water Treatment System provides you with the equipment and instructions you need to disinfect and filter your drinking water, making it great tasting, colorless and odorless. It will add to the pleasure, comfort and safety of mobile living whether parked and hooked to a water supply or operating on a self-contained basis. However, it cannot be used with a hand or foot pump or with water from a pond or other surface water source.

PREPARATION BEFORE INSTALLING YOUR EVERPURE SYSTEM

Whether your recreational vehicle is new or used, its water system should be thoroughly cleaned to rid it of clinging materials and sediment. Then it should be disinfected so the system will be free of algae, slime and other organisms.

Cleaning means both dissolving oils and slime from the system, as well as flushing out the sediment. Each water system will differ in how this is best accomplished, but thorough cleaning should include flushing the entire system (all tanks, pipes and outlets) with detergent water. Fill your tank several times, adding 2/3 oz. (20 ml) or 4 teaspoons of household detergent to every 10 gallons (38L) of water the tank will hold. Flush system thoroughly. Simply filling and draining will not do an adequate job.

Disinfection is best accomplished after cleaning, so the disinfectant does not have to act on foreign matter coating the walls of pipes and tubing. Add 6 oz. (0.2L) or 2/3 cup of Clorox® or other 5¼% liquid household bleach to each 10 gallons (38L) of water the tank holds. To ensure thorough mixing, half-fill the tank, add bleach, then finish filling. This produces a 200 part per million (ppm) disinfectant solution which is used to sanitize the entire RV water system.

Open each faucet and run water through it until the water smells of chlorine. Then shut it off. Doing this draws chlorinated water to all parts of the system. Don't forget hot water faucets. Repeat this procedure at one hour intervals until the chlorine smell is immediately present when you open each faucet. Finally, drain the entire system in preparation for installing your Everpure Filter.

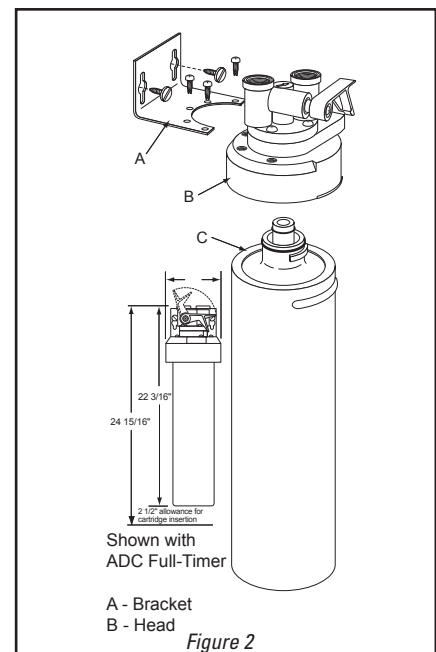
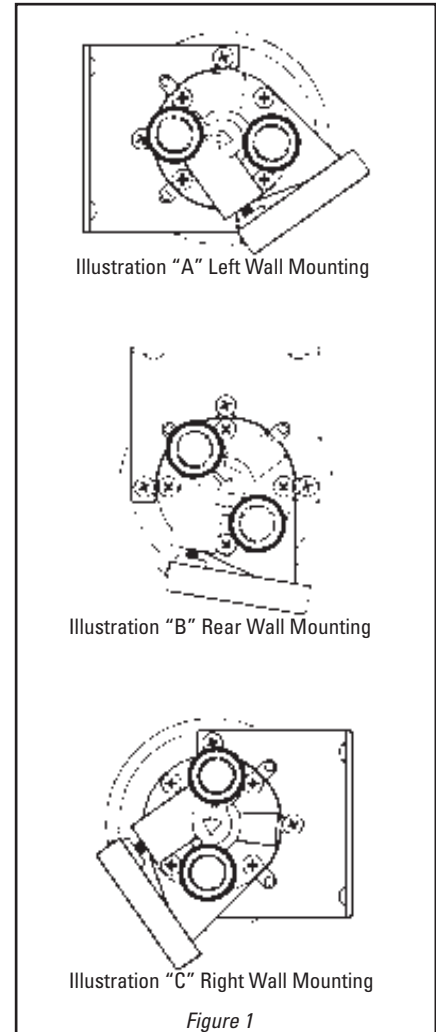
STEPS FOR INSTALLING YOUR EVERPURE WATER FILTER

1. The Water Filter should be installed on the galley sink's cold water line used for cooking and drinking water. The Water Filter must be mounted in a vertical (upright) position.
2. The filter head comes with its bracket installed in the position indicated in illustration "B." In this position, all three screws can be used. When the bracket is mounted 45° to the left or right of center (see illustrations "A" and "C", only two screws are used. Figure 1).
3. The location selected for water filter installation should:
 - a. Allow clearance for valve handle travel
 - b. Allow the cutout under the ring label to be clearly seen to simplify cartridge changing
 - c. Allow clearance of 2 ½" (6.5 cm) under the cartridge so it can be lowered for removal
 - d. Allow space for in/out water connections

NOTE: Installation necessitates cutting water supply line to cold water faucet. Where line is cut depends upon where filter head is installed. It is best to join water supply line directly to head inlet port elbow fitting and cold water faucet supply line directly to head outlet port straight fitting.

4. Temporarily install elbow fitting loosely into the filter head inlet port and straight fitting loosely into outlet port. Do not tighten fittings.

* Not performance tested or certified by NSF International.



INSTALLATION continued

5. Hold (do not attach) mounting bracket onto head and position head at wall location that will provide most convenient installation. Orient elbow fitting as required. Plan carefully before cutting tubing. Cut tubing so that ends are "square." If tubing ends cannot be joined directly to installed head fittings, a coupling and 3 feet of plastic tubing are provided.
6. Using mounting bracket as a template, mark location and drill, or start, holes for mounting head to wall. Install mounting bracket onto head in appropriate position.
7. Remove straight and elbow fittings. Apply Teflon tape to threads that install into head and reinstall fittings tightly. Final orientation of elbow fitting should be achieved while it is being tightened. Do not back off fittings into final position.
8. Slide compression nut onto cold water faucet tubing with threads facing cut end. Slide clamping ring (taper facing cut end) onto tubing and then slide cone (taper facing cut end) onto tubing. Wet tubing end for lubrication and then insert tubing fully into straight fitting. Slide down cone and clamping ring and secure in position by fully tightening compression nut. Repeat this procedure securing water supply line to elbow fitting. If water supply line is too short to be directly connected, cut supplied tubing to proper length and use supplied coupling, compression nuts, clamping rings and cones to make final connection. (Figure 3)
9. Tighten all connections to insure leakproof installation. Double check that incoming water supply line is connected to head inlet. If in doubt, check flow direction arrow, molded into top of head.
10. Insert filter cartridge following instructions on the cartridge label. Refill water tank with superchlorinated water (follow superchlorination instructions provided in the following paragraphs) and run water from cold water faucet checking all new connections for leaks. (Figure 2)

USE OF SUPERCHLORINATION FOR MAXIMUM PROTECTION

Chlorine is the world's most accepted and widely used disinfectant. A chlorine excess, called a residual, is recognized as an indication of water safety.

Superchlorination is a disinfection method which provides a chlorine residual of 3.0 to 5.0 ppm.** It will make all the water (from every outlet) in your RV microbiologically safe. Although the chlorine will impart a somewhat offensive taste and odor, this will be reduced from your cooking and drinking water by the Everpure water filter.

The Everpure Water Treatment System provides all that is needed except chlorine, which must be purchased fresh locally. Simply proceed with the following instructions:

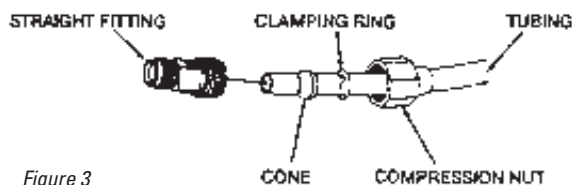


Figure 3

TO SUPERCHLORINATE YOUR WATER

Superchlorinate with household laundry bleach (sodium hypochlorite). You may not have thought of this familiar product (Clorox®, Purex®, Sun-Brite®, etc.) as a water disinfectant, but it is a common form of sodium hypochlorite (chlorine). Fill the Everpure chlorine disinfectant dispenser with fresh liquid bleach and add 1/6 ounce (5 ml) or 1 teaspoonful to each 10 gallons (38 l) of water held in your tank. This doses the water with 6.7 ppm (parts per million) chlorine for killing harmful bacteria and slime-forming organisms. The most effective method for putting chlorine into the water system is to first connect your hose to your vehicle and then put the bleach into the other end of the hose just before connecting it to the park faucet or other hydrant. Use chlorine every time you connect to a water source to keep the hose sanitary and to protect your water system from becoming contaminated via the water source.*

The chlorine color test (described in the following section) tells you whether or not you have added enough chlorine to your water to provide a safety-indicating excess.

YOU MUST TEST FOR SAFETY-INDICATING CHLORINE RESIDUAL

A residual of 3.0 to 5.0 ppm chlorine,** after as little as 7 minutes standing time, insures that your water is microbiologically safe – and chlorine water disinfection lets you test for safety with a quick, simple feature.

The Everpure RV Water Treatment System provides easy to use test strips for determining the chlorine residual in your system's water. Take one strip and place under running water from any cold water outlet not served by your Everpure water filter. Leave the strip in the stream for approximately 10 seconds. Remove strip and compare the color of the free chlorine square with the color blocks on the side of the bottle labeled free chlorine. For maximum results your water color should be deeper than the 4 ppm color block. If it is not, add more chlorine to the water.

If you are not able to get a minimum 3.0 ppm residual reading by adding small amounts of chlorine to your water, most likely your water system is very badly contaminated. This can be remedied by dosing the system with a higher concentration of chlorine.

(IMPORTANT NOTE: RV manufacturers suggest sanitizing the water systems in new recreational vehicles. The following procedure may also be used for this purpose.)

Add 6 oz. (0.2 liter or 2/3 cup) of a 5¼% liquid household bleach to each 10 gallons (38 liters) of water held in your tank. To make sure of a thorough mixing, fill half of the tank, add bleach, then finish filling. Now open each faucet not serviced by the Everpure water filter until the water coming from it smells of chlorine; then shut it off. In this way, you draw chlorinated water from all parts of the system. Don't forget the hot water faucets. Repeat this at one hour intervals until the chlorine smell is immediately noticeable when you open a faucet. Now drain the water system and follow the directions under the heading "To superchlorinate your water".

*Not Performance Tested or Certified by NSF

** The NSF claim for Chlorine reduction is based on a 2.0 ppm influent challenge.

WINTERIZING

Recreational vehicle manufacturer's instructions for winterizing should be followed. Whether antifreeze is used, or lines are blown out, remove and discard the filter cartridge. Install the antifreeze diverter as follows:

To install the diverter first turn off water to head. For QL2 & QL1 heads turn off supply by using an installed valve before head. For QL3 heads simply raise the valve handle to turn off water. Once water is turned off remove cartridge and install diverter using the following technique. Hold diverter by support bar and guide it up into the head with bar end approximately centered below label. Push diverter up into head as far as possible and turn it clockwise approximately 90°; diverter should be locked in position. Open appropriate valve allowing water to flow through head. (Figure 4)

The following spring, flush out the system with the diverter in place. After the system has been thoroughly flushed, remove the diverter and store for future use. Install a new water filter cartridge.

OPERATING SPECIFICATIONS

Capacity: QL1-WPS* – 200 Gallons (757L)

QL2-WPS & QL3-WPS –750 Gallons (2840L)

Pressure Requirements: 10-125psi (0.7-8.6bar), non-shock

Temperature: 35-100F (2-38C)

Flow Rate: 0.5gpm (1.9Lpm)

AVAILABLE REPLACEMENT PARTS

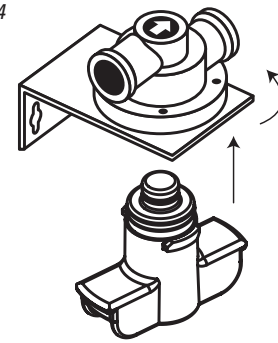
AC Cartridge	EV9601-12
ADC Cartridge	EV9592-01
ADC Part-Timer Cartridge (Twin Pack)*	EV9592-07
Chlorine Test Strips	EV3112-11
Antifreeze Diverter	EV3008-17

The QL1-WPS* uses the ADC Part-Timer Cartridge*

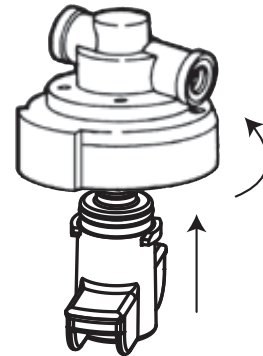
The QL2-WPS and QL3-WPS use either the AC or ADC Cartridge

* Not performance tested or certified by NSF

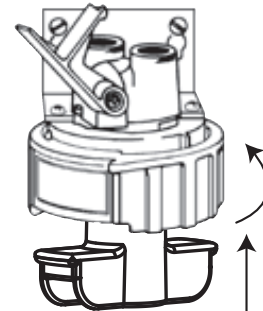
Figure 4



QL1 HEAD

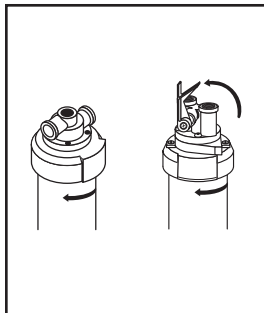


QL2 HEAD



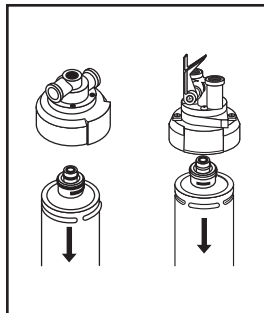
QL3 HEAD

CARTRIDGE CHANGE PROCEDURE



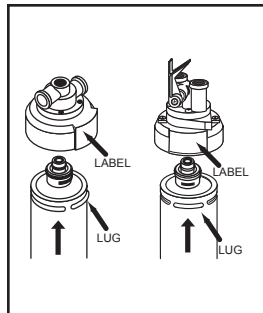
1. Shut off water and relieve line pressure. For heads with built-in shut-off valve, fully lift handle until it stops.

2. Hold head firmly. Push upward on cartridge and turn it to left 1/4 turn, until rotation stops.



3. Pull cartridge down and out of head.

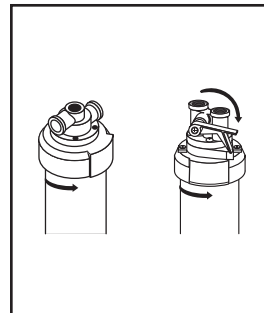
4. Align new cartridge lug with head label. Hold head firmly. Insert new cartridge into head.



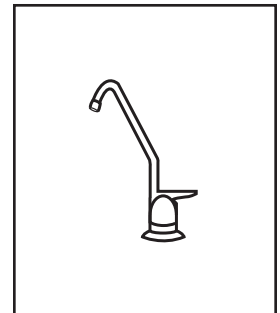
5. Turn cartridge to right ¼ turn until rotation stops.

6. Turn on water supply. For heads with built-in valve, lower handle.

NOTE:
For Head with Revolving Ring, make sure the valve handle locks firmly into the ring notch.



7. NOW FLUSH CARTRIDGE! Follow start up procedure.



START-UP PROCEDURE

Run water through filtered water faucet for three minutes to activate cartridge. Activation also purges air and carbon fines. (A unit plumbed to an ice maker should also be plumbed to a drinking water tap to insure satisfactory performance.)

NOTE:
Dispensed water may appear cloudy for a few days. This is due to air in the filter cartridge, and does not affect system performance or contaminant reduction in any way.



The QL2-WPS and QL3-WPS are Tested and Certified by NSF International against NSF/ANSI Standards 42 & 53 for the reduction of:

Std. No. 42—Aesthetic effects	Std. No. 53—Health effects
<i>Chemical Reduction</i>	<i>Mechanical Filtration</i>
Taste & Odor	Asbestos
Chlorine Taste & Odor	Cyst
<i>Mechanical Filtration</i>	Turbidity
Nominal Particulate Class I: 99.2% reduction of particles one-half micron and larger in size.	



The QL1-WPS is Tested and Certified by the WQA against NSF/ANSI as verified and substantiated by test data Standards 42 & 53 for the reduction of:

Std. No. 42—Aesthetic effects	Std. No. 53—Health effects
<i>Chemical Reduction</i>	<i>Chemical Reduction</i>
Taste & Odor	Lead
Chlorine Taste & Odor	
<i>Mechanical Filtration</i>	
Particulate Class I	

Check for compliance with state and local laws and regulations.

Do not use with water that is microbiologically unsafe or of unknown quality without adequate disinfection before or after the system. Systems certified for cyst reduction may be used on disinfected waters that may contain filterable cysts.

For cold water use only.

LIMITED WARRANTY

Everpure, LLC warrants this product to be free of defects in workmanship or materials for twelve months after purchase. This warranty extends only to the original consumer and does not cover products which malfunction due to user neglect or unauthorized modification. This warranty is valid for a RDM System only if the system is operated within the following conditions: the feed water going to the TFC Reverse Osmosis Cartridge (B) is chlorine free, water pressure is between 40 and 95 psi, inlet water temperature range is between 40°F and 100°F and the TDS content does not exceed 2000 ppm. To obtain warranty performance, return this product to Everpure, LLC, transportation or mail prepaid, with an attached statement giving the date and place of purchase, the nature of the defect and your return address, and if possible, your telephone number. Upon receipt, Everpure, LLC will examine your claim. If this warranty applies, Everpure, LLC, at its option, will either replace or repair this product. Please send all returns or warranty questions to: Everpure, LLC, 1040 Muirfield Drive, Hanover Park, Illinois 60133. This warranty is given in lieu of all other warranties expressed or implied, written or oral. No employee, agent, dealer, or other person is authorized to give any warranties on behalf of Everpure, LLC. NOTE: Some states do not allow limitation on how long an implied warranty lasts so the above limitation may not apply to you. Similarly some states do not allow the exclusion or limitation of consequential or incidental damages so the above limitation or exclusions may not apply to you. This warranty gives you special legal rights. You may also have other rights which may vary from state to state. Proof of purchase must accompany all merchandise returns.



For sales, replacement components, and service, contact your Shurflo dealer:

Manufactured by Everpure, LLC for:

Shurflo, LLC • 5900 Katella Ave., • Cypress, CA 906630 • 800.854.3218 • 562.795.5200

©2007 Everpure, LLC

Printed in U.S.A.

Technical Service

800.942.1153

www.shurflo.com

www.everpure.com

EV3090-82 Rev F FE07