

MARINE PRODUCT DATA SHEET

OEM: 4903-4292 (Wash-Down Kit)
AFTERMARKET: 4903-4282 (Wash-Down Kit)

APPLICATION

Marine fresh or salt water wash down installations.
Other uses may include 12V DC pressurized water systems in cabins. This pump may be used for general water transfer.

PUMP:

Type: 4 Chamber Diaphragm
Ports: 1/2"-14 NPSM-Male.
Liquid: 130 °F [54 °C] Max
Dry-Prime: 6 feet [1.82 M]
Inlet PSI: 30 PSI [2.1 Bar] Max
Run Dry: Yes

ELECTRICAL:

Motor: 12VDC Permanent Magnet, Intermittent Duty
Protection: Thermal Overload, Automatic Restart
Leads: 14 AWG, 16" [40 cm] Red +, 13" [33 cm] Black -
Fuse: 15 Amp Recommended
Control: Adjustable Switch. Shut-Off at 45 PSI [3.1 Bar] ± 5 PSI [0.4 Bar]. Restart at 25 PSI [1.8 Bar] ± 5 PSI [0.4Bar]

MATERIALS:

Housing: Nylon
Valves: EPDM
Diaphragm: Santoprene
Hardware: Stainless Steel

APPROVALS:

Ignition Protection 8846, CE

WARRANTY:

2 Year Limited Warranty.
Contact SHURflo for details

SHIPPING:

Net Weight (boxed): 9 Lbs [4.0 Kg] each
Carton Quantity: 4
Carton Weight: 38 Lb [17.2 Kg]
Approx. Carton Size: 24"L x 18"W x 11"H
[60.9cm x 45.7cm x 27.9cm]

RELATED DOCUMENTS:

Catalog: MS-030-140
Installation Manual: 911-741
Applications Spec Guide: MS-020-005



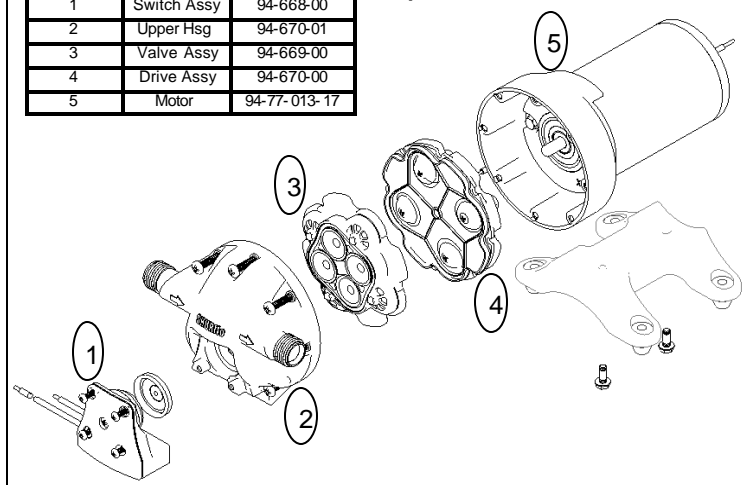
SHURflo's new washdown kit includes everything you need for tough washdown applications all in one box. The kit includes the Next Generation Pro-Blaster Pump, fittings, Blaster Nozzle, Raw Water Strainer and 25' coiled hose.

INCLUDED WITH WASH-DOWN KIT:

- Pump model: 4901-4282
- Nozzle: 94-010-00
- Hose: 7-071-25
- Garden hose wing nut fitting: 244-2356 (x-1)
- Straight swivel wing nut fitting, 1/2"-14NPT (F) X 3/4" barb: 244-2946 (x-2)
- Straight swivel adapter fitting, 1/2" NPT (M) X 3/4" barb: 244-5146 (x-2)
- Straight fitting, 1/2" barb X 1/2" NPT (M): 8-021-00
- Raw water strainer: 253-120-01

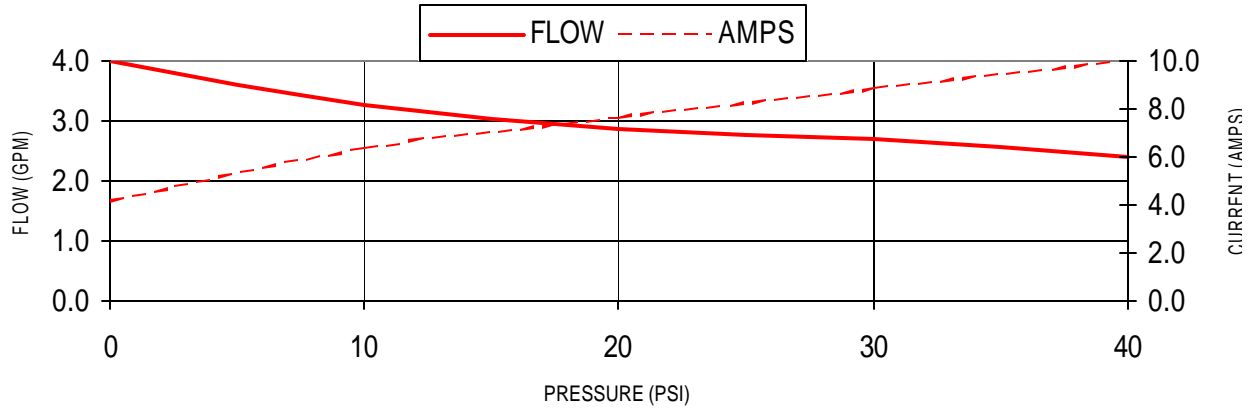
Number	Description	Part Number
1	Switch Assy	94-668-00
2	Upper Hsg	94-670-01
3	Valve Assy	94-669-00
4	Drive Assy	94-670-00
5	Motor	94-77-013-17

Repair Kits

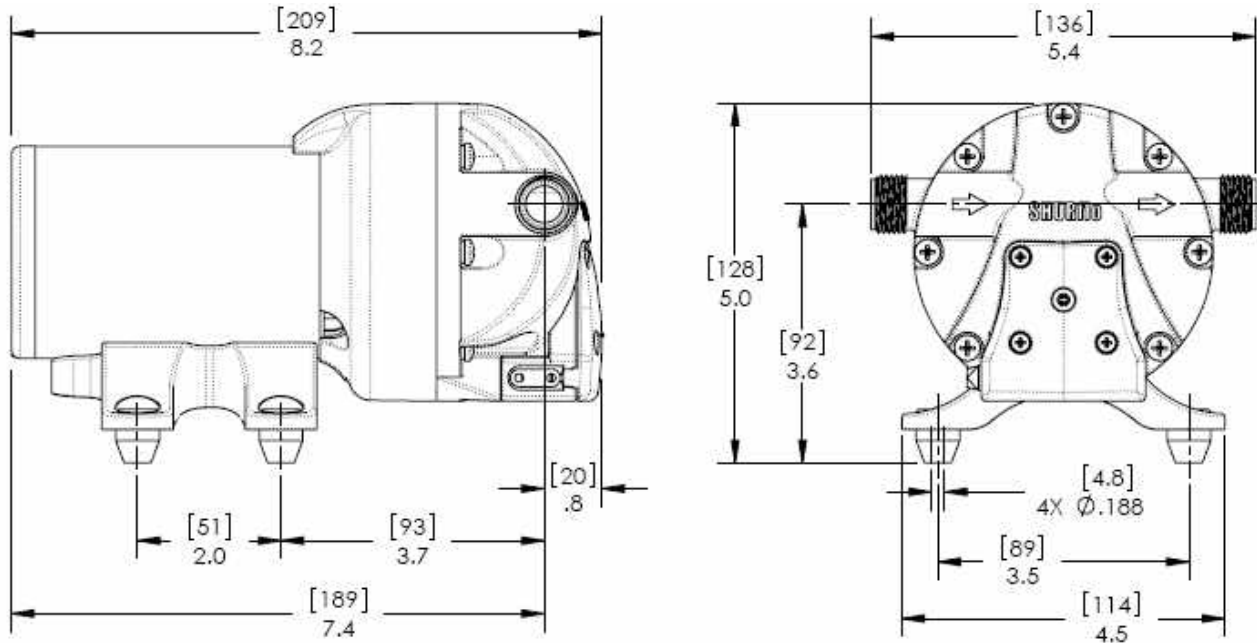


TYPICAL PERFORMANCE

PRESSURE		FLOW		CURRENT
BAR	PSI	GPM	LPM	AMPS
0.0	0	4.0	15.1	4.1
0.7	10	3.3	12.5	6.3
1.4	20	2.9	10.1	7.6
2.1	30	2.7	10.2	8.8
2.8	40	2.4	9.0	10.0



DIMENSIONS (mm)



Visit our Web Site at <http://www.shurflo.com>
 Shurflo reserves the right to update specifications,
 change prices, or make substitutions without notice.

SHURflo
 5900 Katella Avenue
 Cypress, CA 90630
 Phone (562) 795-5200
 Toll Free (800) 854-3218
 Fax (562) 795-7564

SHURflo East
 52748 Park Six Court
 Elkhart, IN 46514-5427
 Phone (562) 795-5200
 Toll Free (800) 854-3218
 Fax (574) 264-2169

SHURflo Europe, Middle East, Africa
Pentair Water Belgium bvba
 Industriepark Wolfstee, Toekomstlann 30
 B-2200 Herentals, Belgium
 Phone +32-14-283500
 Fax +32-14-283505



Pentair Water
FLOW TECHNOLOGIES GROUP
 5900 Katella Ave, Cypress, CA 90630
 Phone (800) 854-3218 • (562) 795-5200 • Fax (562) 795-7564
www.shurflo.com