

MARINE PRODUCT DATA SHEET

OEM: 5901-4202 (Extreme Pro-Blaster)
AFTERMARKET: 5901-4212 (Extreme Pro-Blaster)

APPLICATION

Marine fresh or salt water wash down installation.
Other uses may include 32V DC pressurized water system in cabins.
This pump may be used for general water transfer.



PUMP:

Type: 5 Chamber Diaphragm
Ports: Quick Connect Fittings
Liquid: 130 °F [54 °C] Max
Dry-Prime: 6 feet [1.82 M]
Inlet PSI: 30 PSI [2.1 Bar] Max
Run Dry: Yes

ELECTRICAL:

Motor: 32V DC Permanent Magnet, Intermittent Duty
Protection: Thermal Overload, Automatic Restart
Leads: 14 AWG, 16" [40 cm] Red +, 13" [33 cm] Black -
Fuse: 7.5 Amp Recommended
Control: Sealed adjustable Switch. Shut-Off 45 PSI [3.1 Bar] ± 5 PSI [0.4 Bar] Restart 25 PSI [1.8 Bar] ± 5 PSI [0.4 Bar]

MATERIALS:

Housing: Nylon
Valves: EPDM
Diaphragm: Santoprene
Hardware: Stainless Steel

APPROVALS:

Ignition Protection 8846, CE

WARRANTY:

3 Year Limited Warranty.
Contact SHURflo for details

SHIPPING:

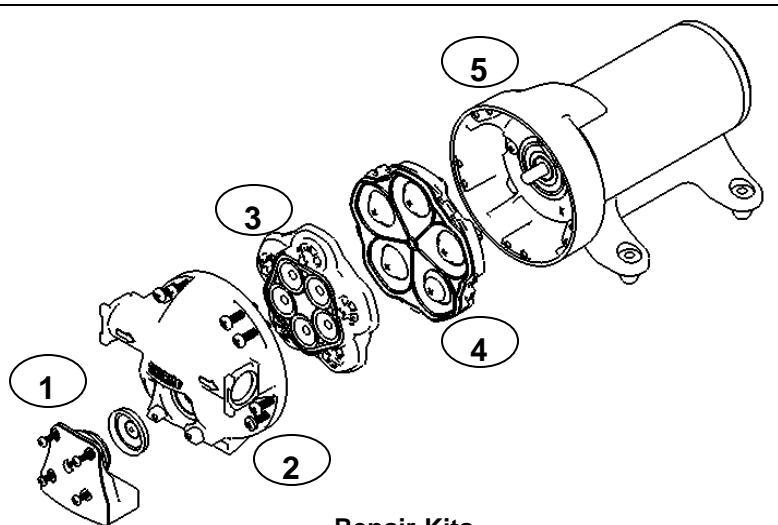
Net Weight (boxed): 8.5 Lbs [3.9 Kg] each
Carton Quantity: 6
Carton Weight: 51 Lb [24 Kg]
Approx. Carton Size: 25"L x 19"W x 8"H
[63cm x 49.1cm x 21cm]

RELATED DOCUMENTS:

Catalog: MS-030-140
Installation Manual: 911-622
Applications Spec Guide: MS-020-005



The Extreme Pro Blaster delivers over 5 GPM and pressure up to 45 psi, giving you the ultimate in washdown capabilities. This high volume pump will clean your deck quickly and easily. The corrosion resistant coated seamless motor shell with sealed switch provides excellent protection against the harsh marine environment. The Extreme Pro Blaster is designed for the toughest washdown applications.

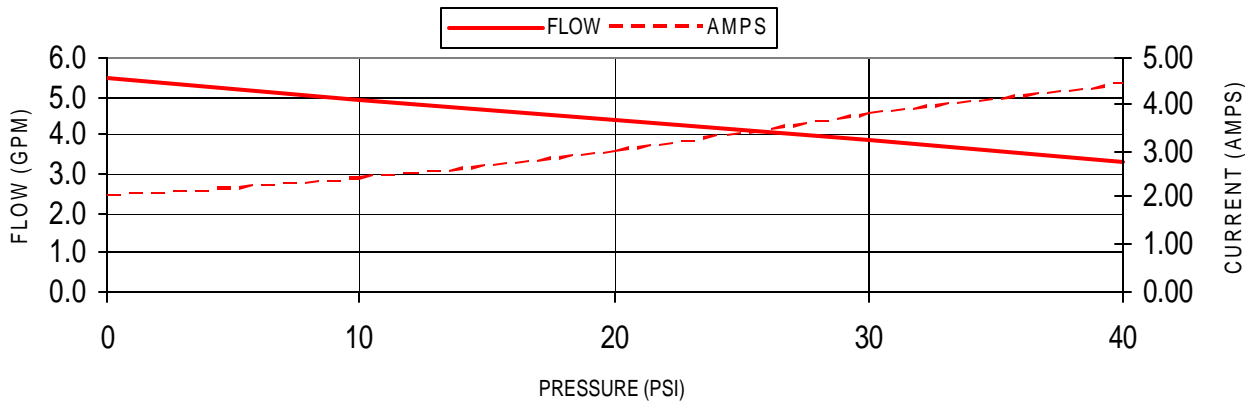


Repair Kits

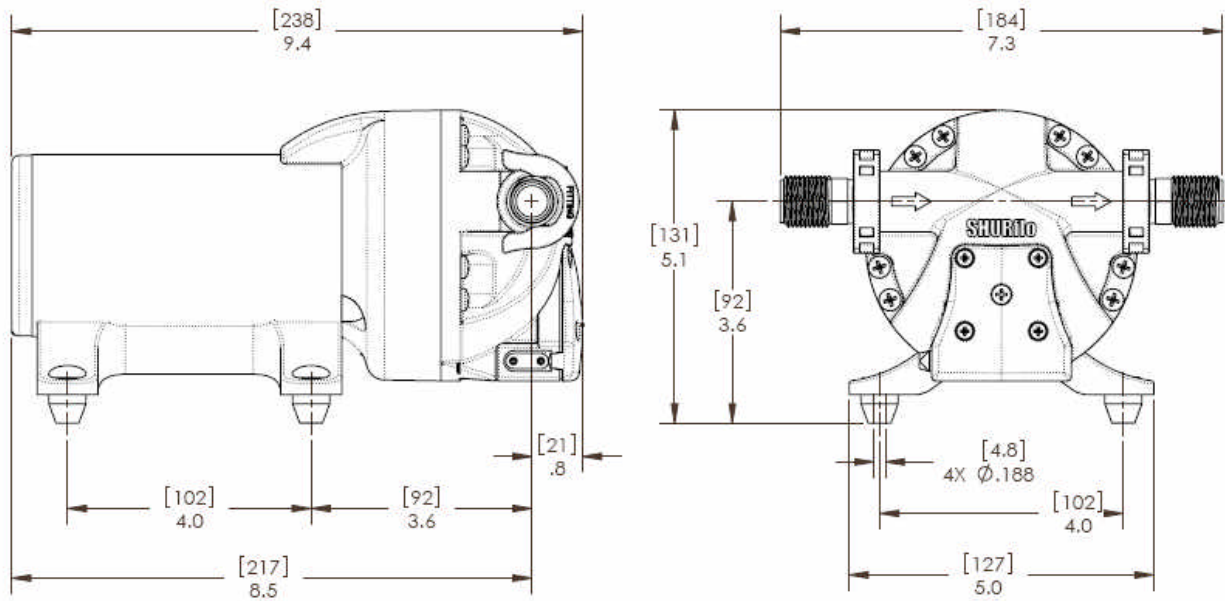
Number	Components	Parts Kits
1	Pressure Switch	94-069-00
2	Upper Housing	94-670-02
3	Valve Assembly	94-030-01
4	Drive Assembly	94-030-02
5	Motor	94-77-010-17

TYPICAL PERFORMANCE

PRESSURE		FLOW		CURRENT
BAR	PSI	GPM	LPM	AMPS
0.0	0	5.5	20.8	2.0
0.7	10	4.9	18.5	2.4
1.4	20	4.4	16.6	3.0
2.1	30	3.9	14.7	3.8
2.8	40	3.3	12.4	4.4



DIMENSIONS [mm]



Visit our Web Site at <http://www.shurflo.com>
 Shurflo reserves the right to update specifications,
 change prices, or make substitutions without notice.

SHURflo
 5900 Katella Avenue
 Cypress, CA 90630
 Phone (562) 795-5200
 Toll Free (800) 854-3218
 Fax (562) 795-7564

SHURflo East
 52748 Park Six Court
 Elkhart, IN 46514-5427
 Phone (562) 795-5200
 Toll Free (800) 854-3218
 Fax (574) 264-2169

SHURflo Europe, Middle East, Africa
Pentair Water Belgium bvba
 Industriepark Wolfstee, Toekomstlann 30
 B-2200 Herentals, Belgium
 Phone +32-14-283500
 Fax +32-14-283505



Pentair Water
FLOW TECHNOLOGIES GROUP
 5900 Katella Ave, Cypress, CA 90630
 Phone (800) 854-3218 • (562) 795-5200 • Fax (562) 795-7564
www.shurflo.com