

# RV/MARINE PRODUCT DATA SHEET

**OEM:** 330-000 (1-1/8" Fitting)  
**AFTERMARKET:** 330-021 (Both Fittings)

## APPLICATION

Livewell tank fill valve for water circulation

## MATERIAL

Plastics: Nylon  
Flow Adjustment: Santoprene  
Gasket: Buna  
Screws: Stainless Steel

## SPECIFICATIONS

Inlet Port: 1-1/8" Barb  
Liquid temperature: 130°F [24°C] Max  
Max Pressure: 15 PSI

## WARRANTY

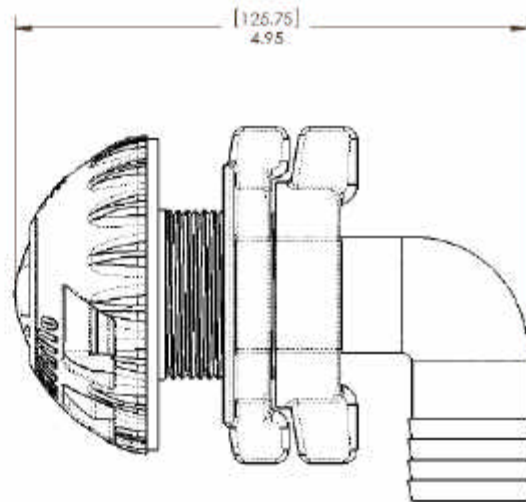
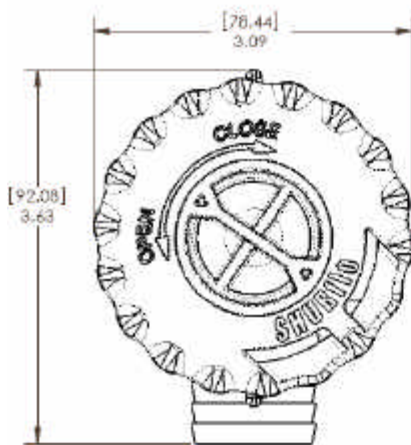
3 Year Limited Warranty. Contact SHURflo for details

## RELATED DOCUMENTS

Catalog: MS-030-140  
Installation Manual: 911-734  
Applications Spec Guide: MS-020-005



Keep your bait alive. The SHURflo Livewell Fill Valve creates an energized environment that "keeps your bait alive." The full port fittings (3/4" or 1-1/8") assure the amount of flow is achieved and maintained. The adjustable flow valve allows you to adjust the water flow to your desired amount.



Visit our Web Site at <http://www.shurflo.com>  
Shurflo reserves the right to update specifications,  
change prices, or make substitutions without notice.

**SHURflo**  
5900 Katella Avenue  
Cypress, CA 90630  
Phone (562) 795-5200  
Toll Free (800) 854-3218  
Fax (562) 795-7564

**SHURflo East**  
52748 Park Six Court  
Elkhart, IN 46514-5427  
Phone (562) 795-5200  
Toll Free (800) 854-3218  
Fax (574) 264-2169

**SHURflo Europe, Middle East, Africa**  
**Pentair Water Belgium bvba**  
Industriepark Wolfstee, Toekomstlaan 30  
B-2200 Herentals, Belgium  
Phone +32-14-283500  
Fax +32-14-283505



**Pentair Water**  
**FLOW TECHNOLOGIES GROUP**  
5900 Katella Ave, Cypress, CA 90630  
Phone (800) 854-3218 • (562) 795-5200 • Fax (562) 795-7564  
[www.shurflo.com](http://www.shurflo.com)