

# MARINE PRODUCT DATA SHEET

**OEM:** 357-012-00 (600 GPH)  
**AFTERMARKET:** 357-012-10 (600 GPH)

## APPLICATION

12V DC Bait/Livewell tanks water circulation

## PUMP

Type: Centrifugal Pump  
Outlet Port: 3/4" Barb  
Inlet Port: 3/4" NPS-M  
Liquid: 130 °F [54 °C] Max  
Prime: Flooded Inlet  
Inlet PSI: 30 PSI [2.1 Bar] Max  
Run Dry: No

## ELECTRICAL

Motor: 12VDC Permanent Magnet,  
Continuous Duty  
Protection: Need External Fuse (Not supplied)  
Leads: 6 ft [1.8M] Tinned, 16 AWG  
Fuse: 6 Amp Recommended  
Control: No Control

## MATERIALS

Housing: High Strength Nylon  
Impeller: High Strength Nylon  
Hardware: Stainless Steel

## APPROVALS

Ignition Protected 8846, CE

## WARRANTY

2 Year Limited Warranty. Contact SHURflo for details

## SHIPPING

Net Weight (unboxed): 1.5 Lb [0.68 Kg] each  
Approx. Lbs./Ctn. 27 Lb [12.2 Kg]  
Pumps in Carton: 18  
Carton Size: 24"L x 18"W x 11" H  
[61 cm x 46 cm x 28 cm]

## RELATED DOCUMENTS

Catalog: MS-030-140  
Installation Manual: 911-611  
Applications Spec Guide: MS-020-005



Everything you are looking for in an aerator pump. Our tough, high density nylon housing and heavy duty water cooled motor give the SHURflo Aerator Pumps unparalleled reliability. Patented anti-airlock feature allows the pump to clear trapped air in rough water or when the boat is anchored. All Piranha Series Aerator Pumps have a removable cartridge for easy cleaning.

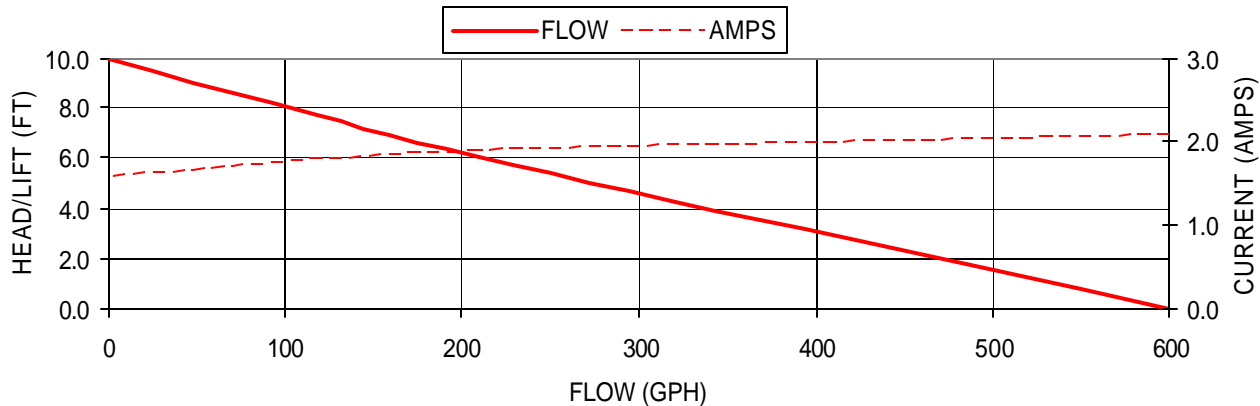
### Replacement Kit

94-619-00

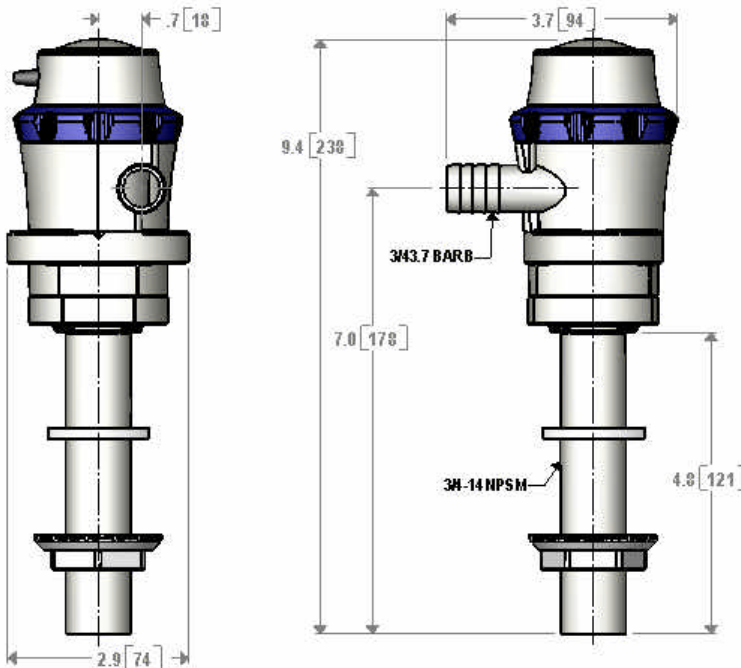


**TYPICAL PERFORMANCE**

| PRESSURE |            | FLOW |      | CURRENT |
|----------|------------|------|------|---------|
| METERS   | FT OF HEAD | GPH  | LPH  | AMPS    |
| 0.0      | 0          | 600  | 3028 | 2.1     |
| 1.80     | 6          | 210  | 908  | 1.9     |
| 3.0      | 10         | 0.0  | 0.0  | 1.6     |



**DIMENSIONS [mm]**



Visit our Web Site at <http://www.shurflo.com>  
 Shurflo reserves the right to update specifications,  
 change prices, or make substitutions without notice.

**SHURflo**  
 5900 Katella Avenue  
 Cypress, CA 90630  
 Phone (562) 795-5200  
 Toll Free (800) 854-3218  
 Fax (562) 795-7564

**SHURflo East**  
 52748 Park Six Court  
 Elkhart, IN 46514-5427  
 Phone (562) 795-5200  
 Toll Free (800) 854-3218  
 Fax (574) 264-2169

**SHURflo Europe, Middle East, Africa**  
**Pentair Water Belgium bvba**  
 Industriepark Wolfstee, Toekomstlann 30  
 B-2200 Herentals, Belgium  
 Phone +32-14-283500  
 Fax +32-14-283505



**Pentair Water**  
**FLOW TECHNOLOGIES GROUP**  
 5900 Katella Ave, Cypress, CA 90630  
 Phone (800) 854-3218 • (562) 795-5200 • Fax (562) 795-7564  
[www.shurflo.com](http://www.shurflo.com)