

# MARINE PRODUCT DATA SHEET

**OEM:** 357-014-00 (600 GPH)  
**AFTERMARKET:** 357-014-10 (600 GPH)

## APPLICATION

12V DC Bait/Livewell tanks water circulation

## PUMP

Type: Centrifugal Pump  
Outlet Port: 3/4" Barb  
Inlet Port: 3/4" NPS-M  
Liquid: 130 °F [54 °C] Max  
Prime: Flooded Inlet  
Inlet PSI: 30 PSI [2.1 Bar] Max  
Run Dry: No

## ELECTRICAL

Motor: 12VDC Permanent Magnet,  
Continuous Duty  
Protection: Need External Fuse (Not supplied)  
Leads: 6 ft [1.8M] Tinned, 16 AWG  
Fuse: 4 Amp Recommended  
Control: No Control

## MATERIALS

Housing: High Strength Nylon  
Impeller: High Strength Nylon  
Hardware: Stainless Steel

## APPROVALS

Ignition Protected 8846, CE

## WARRANTY

2 Year Limited Warranty. Contact SHURflo for details

## SHIPPING

Net Weight (unboxed): 1.5 Lb [0.68 Kg] each  
Approx. Lbs./Ctn. 27 Lb [12.2 Kg]  
Pumps in Carton: 18  
Carton Size: 24"L x 18"W x 11" H  
[61cm x 46 cm x 28 cm]

## RELATED DOCUMENTS

Catalog: MS-030-140  
Installation Manual: 911-611  
Applications Spec Guide: MS-020-005



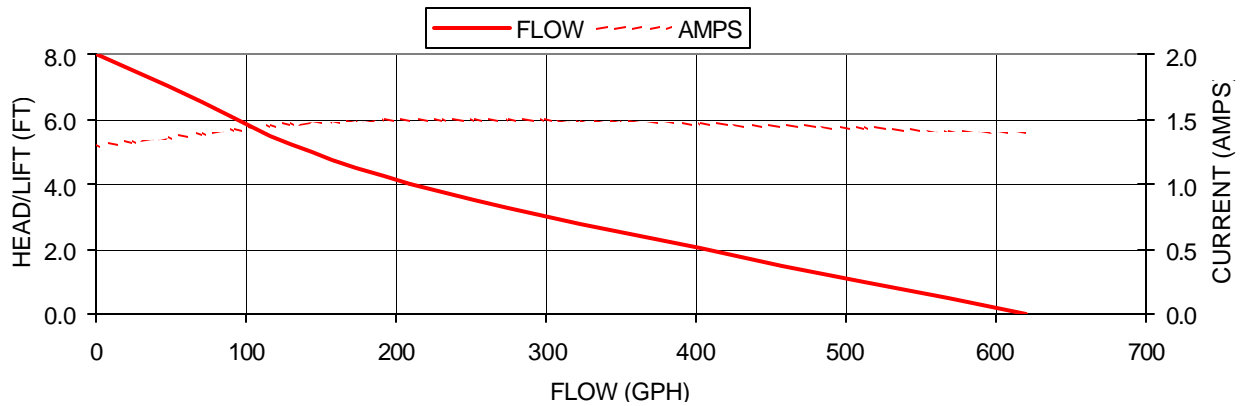
### Replacement Kit

94-619-00

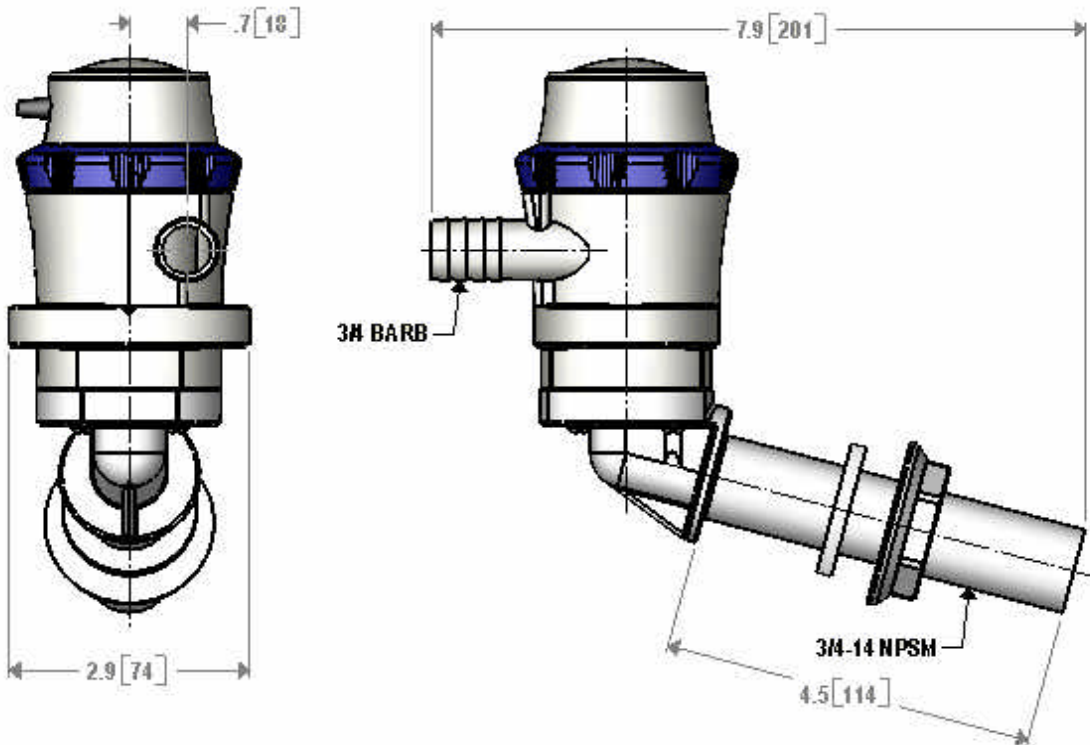


**TYPICAL PERFORMANCE**

PRESSURE		FLOW		CURRENT
METERS	FT OF HEAD	GPH	LPH	AMPS
0.0	0	620	2346	1.4
1.2	4	210	794	1.5
2.4	8	0.0	0.0	1.3



**DIMENSIONS [mm]**



Visit our Web Site at <http://www.shurflo.com>  
 Shurflo reserves the right to update specifications,  
 change prices, or make substitutions without notice.



**SHURflo**  
 5900 Katella Avenue  
 Cypress, CA 90630  
 Phone (562) 795-5200  
 Toll Free (800) 854-3218  
 Fax (562) 795-7564

**SHURflo East**  
 52748 Park Six Court  
 Elkhart, IN 46514-5427  
 Phone (562) 795-5200  
 Toll Free (800) 854-3218  
 Fax (574) 264-2169

**SHURflo Europe, Middle East, Africa**  
 Pentair Water Belgium bvba  
 Industriepark Wolfstee, Toekomstlann 30  
 B-2200 Herentals, Belgium  
 Phone +32-14-283500  
 Fax +32-14-283505



**Pentair Water**

**FLOW TECHNOLOGIES GROUP**  
 5900 Katella Ave, Cypress, CA 90630  
 Phone (800) 854-3218 • (562) 795-5200 • Fax (562) 795-7564  
[www.shurflo.com](http://www.shurflo.com)