

MARINE PRODUCT DATA SHEET

OEM: 5901-1201 (Smart Sensor 5.7)
AFTERMARKET: 5901-1211 (Smart Sensor 5.7)

APPLICATION

Multi-fixture marine fresh water installations. Other uses may include 24V DC pressurized water systems in cabins. This pump may be used for general fresh water transfer.



PUMP:

Type: 5 Chamber Diaphragm
Ports: Quick Connect Fittings
Liquid: 130 °F [54 °C] Max
Dry-Prime: 6 feet [1.82 M]
Inlet PSI: 30 PSI [2.1 Bar] Max
Run Dry: Yes

ELECTRICAL:

Motor: 24VDC Permanent Magnet, Intermittent Duty
Protection: Thermal Overload, Automatic Restart
Leads: 16 AWG, 16" [40 cm] Red +, 13" [33 cm] Black -
Fuse: 7.5 Amp Recommended
Control: Microprocessor PWM Pressure Switch
Shut-Off: Voltage Variant, Factory Set at 65 PSI [4.4 Bar] @ 24V DC \pm 5 PSI [0.4 Bar]

MATERIALS:

Housing: Nylon
Valves: EPDM
Diaphragm: Santoprene
Hardware: Stainless Steel

APPROVALS:

Ignition Protection 8846, CE

WARRANTY:

3 Year Limited Warranty.
Contact SHURflo for details

SHIPPING:

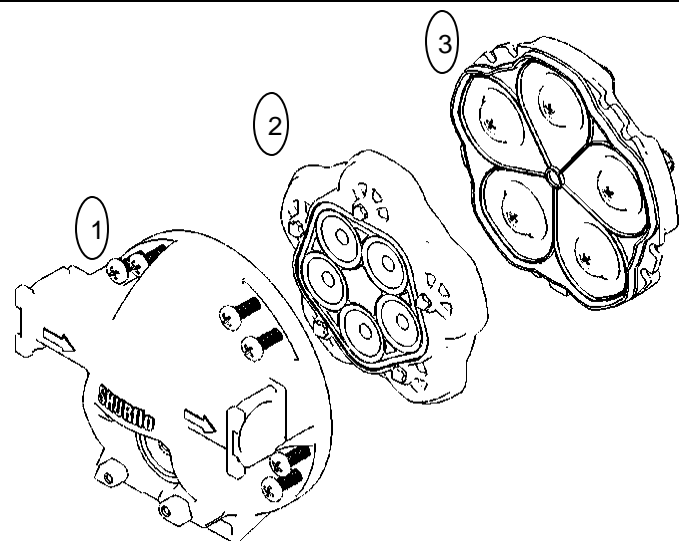
Net Weight (boxed): 8.5 Lbs [3.9 Kg] each
Carton Quantity: 6
Carton Weight: 51 Lb [24 Kg]
Approx. Carton Size: 25"L x 19"W x 8"H
[63cm x 49.1cm x 21cm]

RELATED DOCUMENTS:

Catalog: MS-030-140
Installation Manual: 911-621
Applications Spec Guide: MS-020-005



The Smart Sensor 5.7 is designed specifically for cruisers and midsize yachts. Delivering over 5 GPM and pressure up to 60 PSI, this micro-controller based variable speed pump precisely monitors your system's water pressure and adjusts the motor speed, eliminating the need for an accumulator tank.

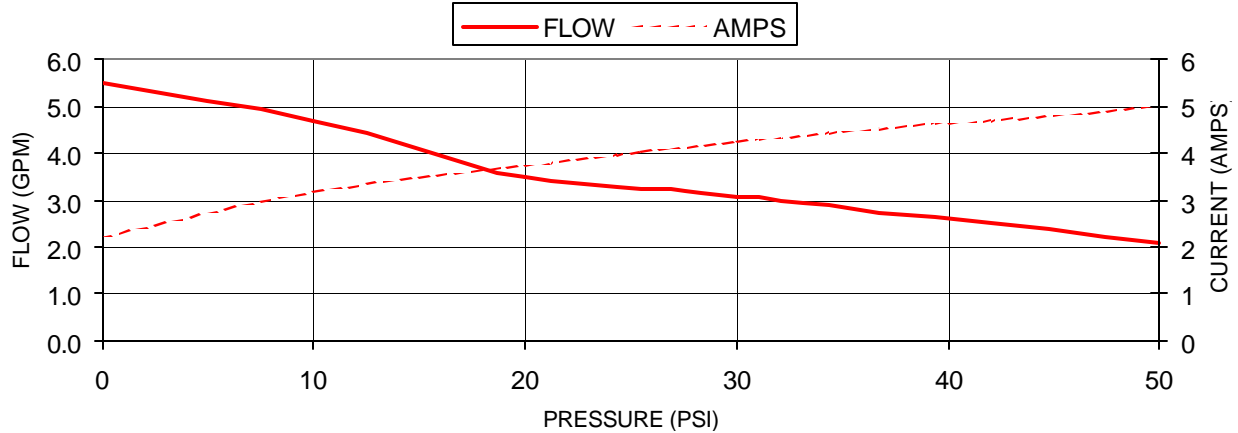


Repair Kits

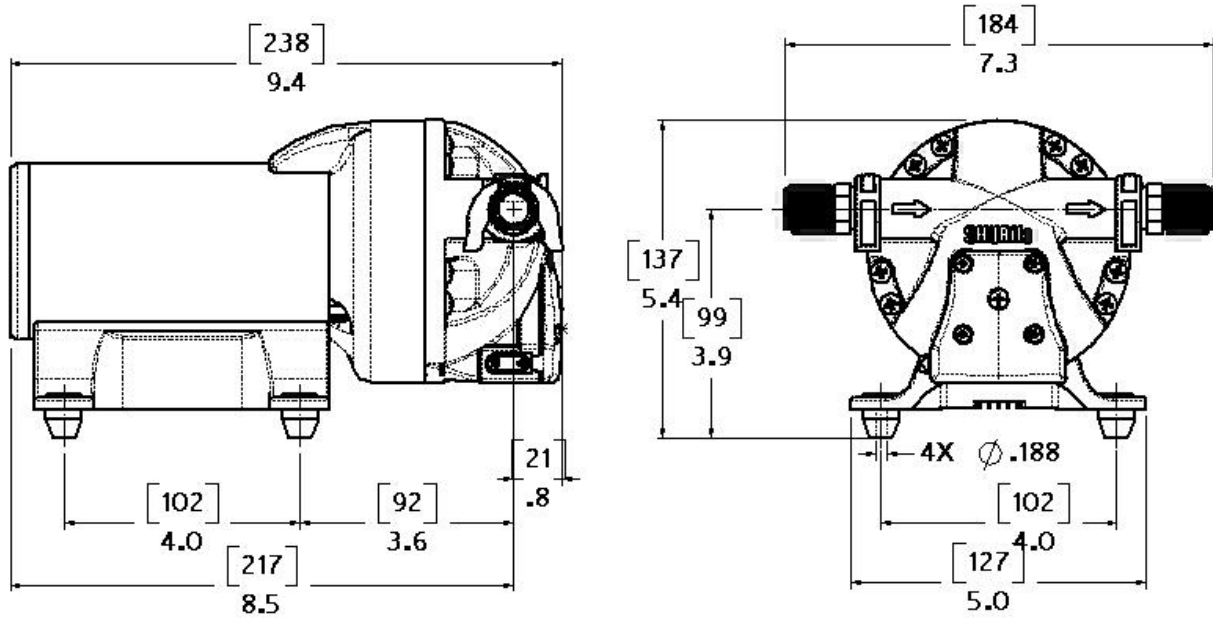
Number	Description	Part Number
1	Upper Housing	94-670-02
2	Valve Assembly	94-030-01
3	Drive Assembly	94-030-02

TYPICAL PERFORMANCE

PRESSURE		FLOW		CURRENT
BAR	PSI	GPM	LPM	AMPS
0.0	0	5.50	20.8	2.22
0.7	10	4.70	17.8	3.20
1.4	20	3.50	13.2	3.75
2.1	30	3.10	11.7	4.25
3.5	50	2.10	7.94	5.00



DIMENSIONS [mm]



Visit our Web Site at <http://www.shurflo.com>
 Shurflo reserves the right to update specifications,
 change prices, or make substitutions without notice.

SHURflo
 5900 Katella Avenue
 Cypress, CA 90630
 Phone (562) 795-5200
 Toll Free (800) 854-3218
 Fax (562) 795-7564

SHURflo East
 52748 Park Six Court
 Elkhart, IN 46514-5427
 Phone (562) 795-5200
 Toll Free (800) 854-3218
 Fax (574) 264-2169

SHURflo Europe, Middle East, Africa
Pentair Water Belgium bvba
 Industriepark Wolfstee, Toekomstlaan 30
 B-2200 Herentals, Belgium
 Phone +32-14-283500
 Fax +32-14-283505



Pentair Water
FLOW TECHNOLOGIES GROUP
 5900 Katella Ave, Cypress, CA 90630
 Phone (800) 854-3218 • (562) 795-5200 • Fax (562) 795-7564
www.shurflo.com