

MARINE PRODUCT DATA SHEET

OEM: 4901-0201 (Smart Sensor 4.0)
AFTERMARKET: 4901-0211 (Smart Sensor 4.0)

APPLICATION

Multi-fixture marine fresh water installations. Other uses may include 12V DC pressurized water systems in cabins. This pump may be used for general fresh water transfer.

PUMP:

Type: 4 Chamber Diaphragm
Ports: 1/2"-14 NPSM-Male.
Liquid: 130 °F [54 °C] Max
Dry-Prime: 6 feet [1.82 M]
Inlet PSI: 30 PSI [2.1 Bar] Max
Run Dry: Yes

ELECTRICAL:

Motor: 12VDC Permanent Magnet, Intermittent Duty
Protection: Thermal Overload, Automatic Restart
Leads: 14 AWG, 16" [40 cm] Red +, 13" [33 cm] Black -
Fuse: 15 Amp Recommended
Control: Microprocessor PWM Pressure Switch
Shut-Off: Voltage Variant, Factory Set at 50 PSI [3.4 Bar] @ 12V DC \pm 5 PSI [0.4Bar]

MATERIALS:

Housing: Nylon
Valves: EPDM
Diaphragm: Santoprene
Hardware: Stainless Steel

APPROVALS:

Ignition Protection 8846, CE

WARRANTY:

3 Year Limited Warranty.
Contact SHURflo for details

SHIPPING:

Net Weight (boxed): 6.5 Lbs [2.94 Kg] each
Carton Quantity: 6
Carton Weight: 45 Lb [20.4 Kg]
Approx. Carton Size: 24"L x 18"W x 6"H
[60.9cm x 45.7cm x 15.2cm]

RELATED DOCUMENTS:

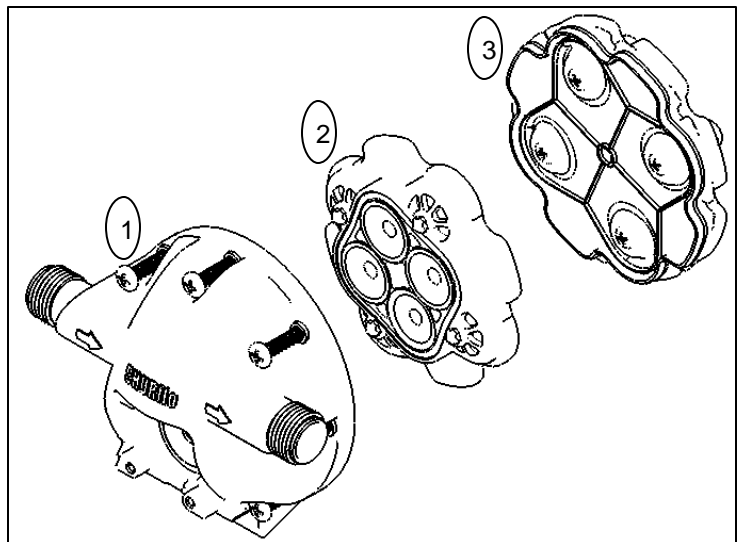
Catalog: MS-030-140
Installation Manual: 911-713
Applications Spec Guide: MS-020-005



The Smart Sensor 4.0 is designed specifically for cruisers and midsize yachts. Delivering 4.0 GPM and pressure up to 50 PSI, this micro-controller based variable speed pump precisely monitors your system's water pressure and adjusts the motor speed, eliminating the need for an accumulator tank.

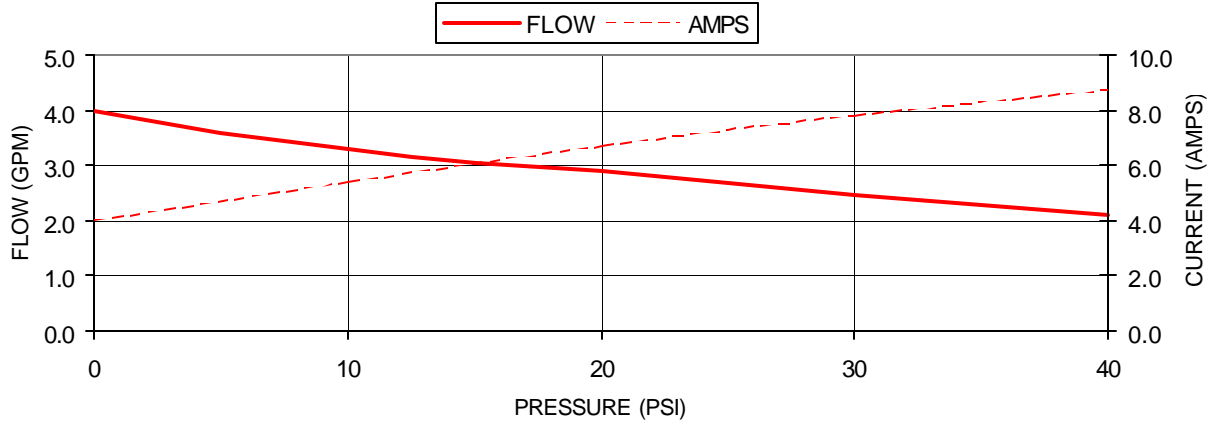
Repair Kits

Number	Components	Parts Kits
1	Upper Housing	94-670-01
2	Valve Assembly	94-669-00
3	Drive Assembly	94-670-00

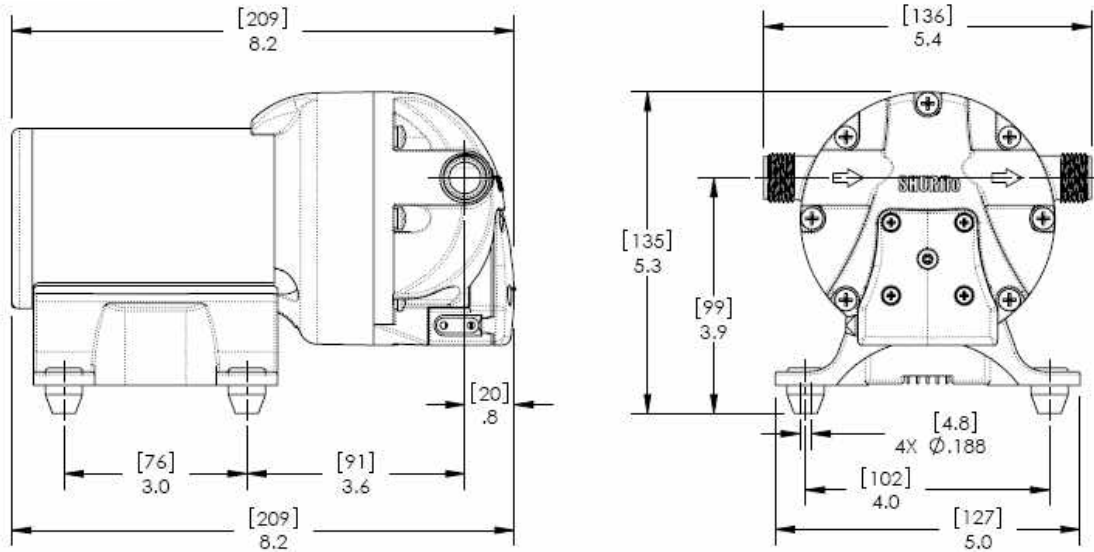


TYPICAL PERFORMANCE

PRESSURE		FLOW		CURRENT
BAR	PSI	GPM	LPM	AMPS
0.0	0	4.0	15.1	4.0
0.7	10	3.3	12.5	5.4
1.4	20	2.9	10.1	6.7
2.1	30	2.5	9.4	7.8
2.8	40	2.1	7.9	8.7



DIMENSIONS [mm]



Visit our Web Site at <http://www.shurflo.com>
 Shurflo reserves the right to update specifications,
 change prices, or make substitutions without notice.

SHURflo
 5900 Katella Avenue
 Cypress, CA 90630
 Phone (562) 795-5200
 Toll Free (800) 854-3218
 Fax (562) 795-7564

SHURflo East
 52748 Park Six Court
 Elkhart, IN 46514-5427
 Phone (562) 795-5200
 Toll Free (800) 854-3218
 Fax (574) 264-2169

SHURflo Europe, Middle East, Africa
Pentair Water Belgium bvba
 Industriepark Wolfstee, Toekomstlaan 30
 B-2200 Herentals, Belgium
 Phone +32-14-283500
 Fax +32-14-283505



Pentair Water

FLOW TECHNOLOGIES GROUP
 5900 Katella Ave, Cypress, CA 90630
 Phone (800) 854-3218 • (562) 795-5200 • Fax (562) 795-7564
www.shurflo.com