

# MARINE PRODUCT DATA SHEET

**OEM:** 358-110-00 (2000 GPH)  
**AFTERMARKET:** 358-110-10 (2000 GPH)

## APPLICATION

24V Marine Bilge Water Evacuation

## PUMP

Type: Centrifugal Pump  
Port: 1-1/8" Barb  
Liquid: 130 °F [54 °C] Max  
Prime: Flooded Inlet  
Run Dry: No

## ELECTRICAL

Motor: 24VDC Permanent Magnet,  
Continuous Duty  
Protection: Need External Fuse (Not supplied)  
Leads: 6 ft [1.8M] Tinned, 16 AWG  
Fuse: 8 Amp Recommended  
Control: No Control

## MATERIALS

Housing: High Strength Nylon  
Impeller: High Strength Nylon  
Hardware: Stainless Steel

## APPROVALS

Ignition Protected 8846, CE

## WARRANTY

3 Year Limited Warranty. Contact SHURflo for details

## SHIPPING

Net Weight (boxed): 5.27 Lbs [2.4 Kg] each  
Approx. Lbs./Ctn: 40 Lbs [18 Kg]  
Pumps in Carton: 8  
Carton Size: 22"L x 14"W x 10" H  
[55cm x 35cm x 25cm]

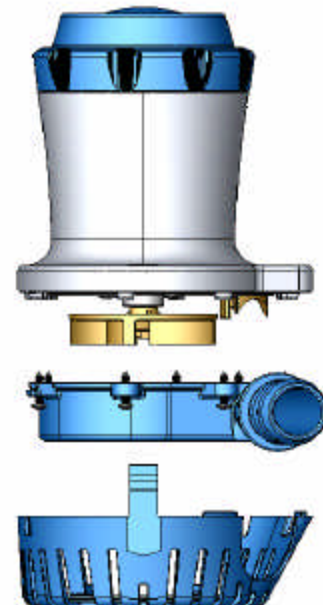
## RELATED DOCUMENTS

Catalog: MS-030-140  
Installation Manual: 911-742  
Applications Spec Guide: MS-020-005



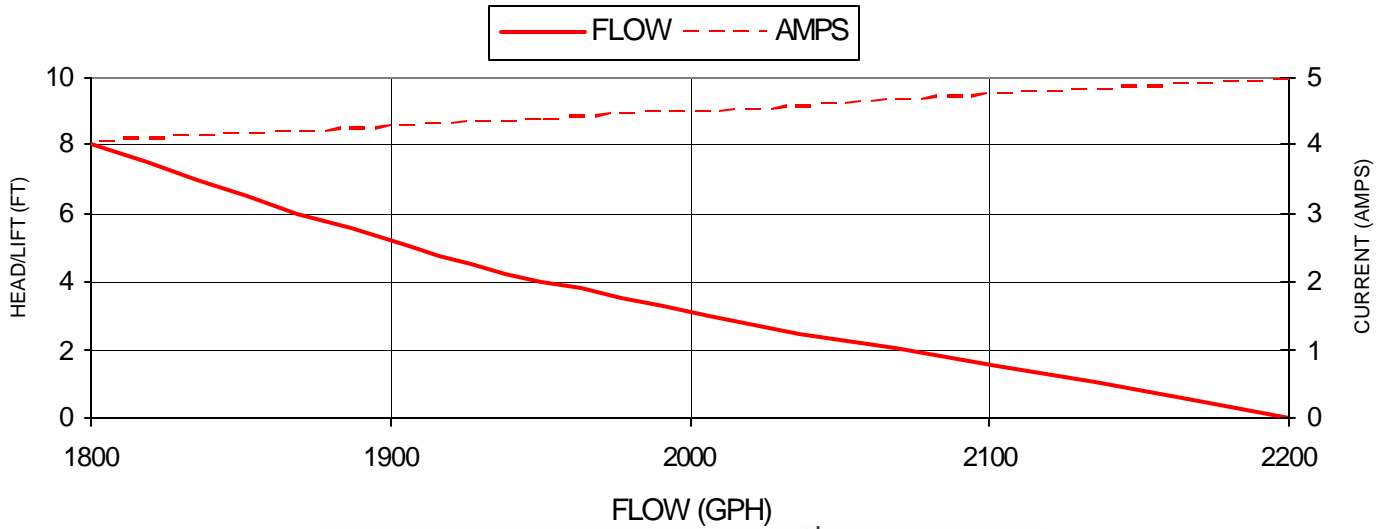
Heavy duty and built to last. SHURflo's 2000 nylon bilge pump offer a unique motor cooling system (patent pending) to ensure efficient performance and long life. Installation is a snap with our patented swivel base and 6' tinned wire assembly.

EXPLODED VIEW No repair kits available

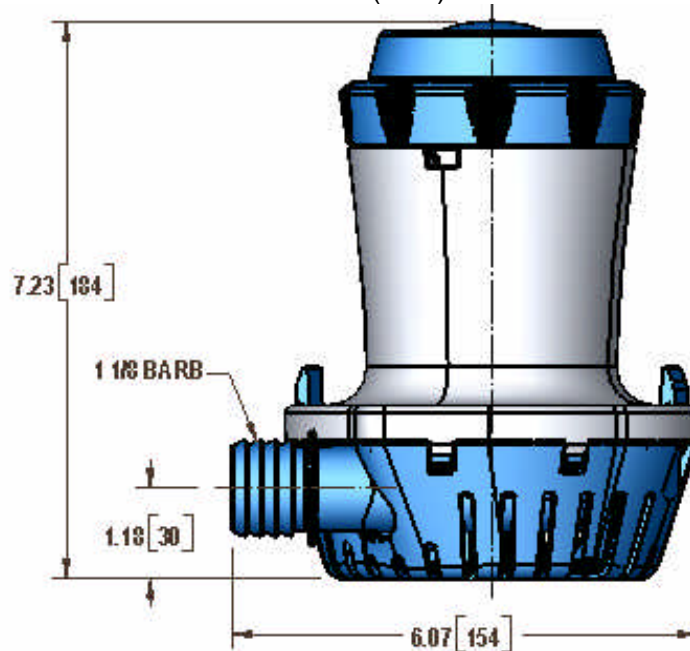


### TYPICAL PERFORMANCE

PRESSURE		FLOW		CURRENT
METERS	FT OF HEAD	GPH	LPH	AMPS
0.0	0	2200	8327	5.0
1.20	4	1950	7380	4.4
2.40	8	1800	6813	4.1



### DIMENSIONS [mm]



Visit our Web Site at <http://www.shurflo.com>  
 Shurflo reserves the right to update specifications,  
 change prices, or make substitutions without notice.



**SHURflo**  
 5900 Katella Avenue  
 Cypress, CA 90630  
 Phone (562) 795-5200  
 Toll Free (800) 854-3218  
 Fax (562) 795-7564

**SHURflo East**  
 52748 Park Six Court  
 Elkhart, IN 46514-5427  
 Phone (562) 795-5200  
 Toll Free (800) 854-3218  
 Fax (574) 264-2169

**SHURflo Europe, Middle East, Africa**  
**Pentair Water Belgium bvba**  
 Industriepark Wolfstee, Toekomstlaan 30  
 B-2200 Herentals, Belgium  
 Phone +32-14-283500  
 Fax +32-14-283505



**Pentair Water**  
**FLOW TECHNOLOGIES GROUP**  
 5900 Katella Ave, Cypress, CA 90630  
 Phone (800) 854-3218 • Fax (562) 795-6200 • Fax (562) 795-7564  
[www.shurflo.com](http://www.shurflo.com)